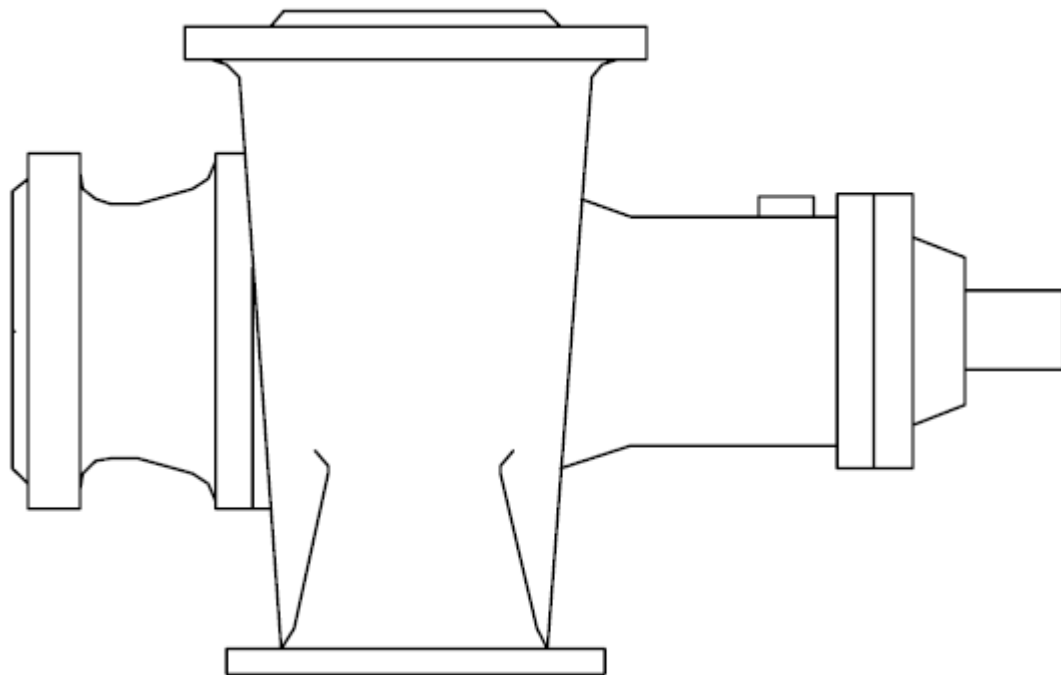




PP Series

Chemical Mixed-flow Pump



Capacity: up to 7000 m³/h (50Hz) ~72 m³/h (60Hz)

Head: up to 25m (50Hz) ~190m (60Hz)

Pressure: up to 0.6 MPa

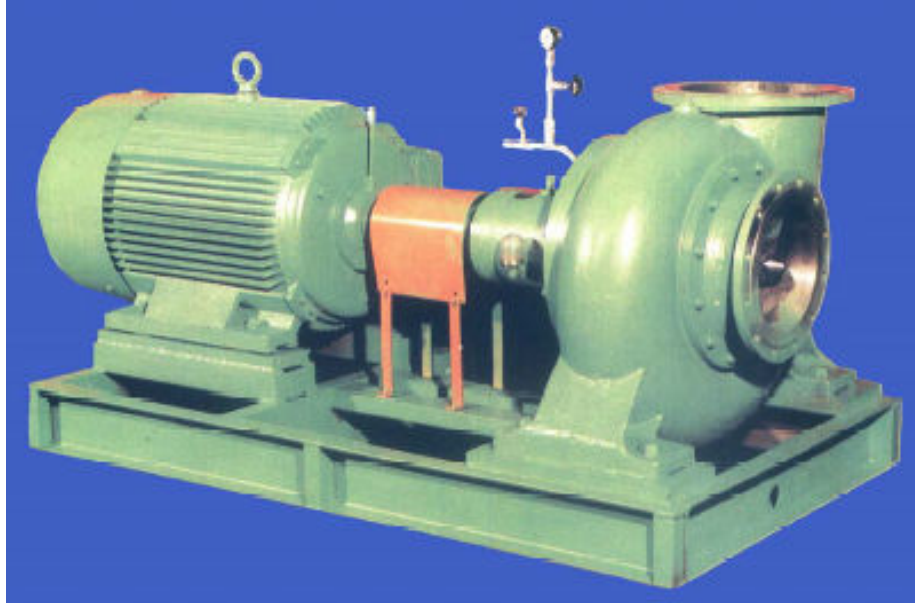
Temperature: -20~+180 °C

Application:

Mainly applied in forced circulation system in chemical process, mariculture, city gas and water treatment system.



1 General



PP series of pump are horizontal, single stage, single suction, overhung mixed-flow centrifugal pumps. They are mainly applied in forced circulation in chemical process, mariculture, city gas and water treatment system.

PP pumps can handle economically and efficiently the large capacity, low head, clean or containing some solid particles, mild or aggressive liquids.

- High efficiency, low energy consumption.
- Can start up with valve open, without overload motor.
- Wide passage area, not easy to jam.
- Pump casing tangential discharging decreases the hydraulics loss and wear.
- Robust design, long life.

Impeller:

Semi-open type. Balance holes balance the axial thrusts. The residual axial thrusts are absorbed by bearings.

Shaft sealing:

Gland packing, single mechanical seals or double mechanical seals are available depending on various operating conditions..

Bearing:

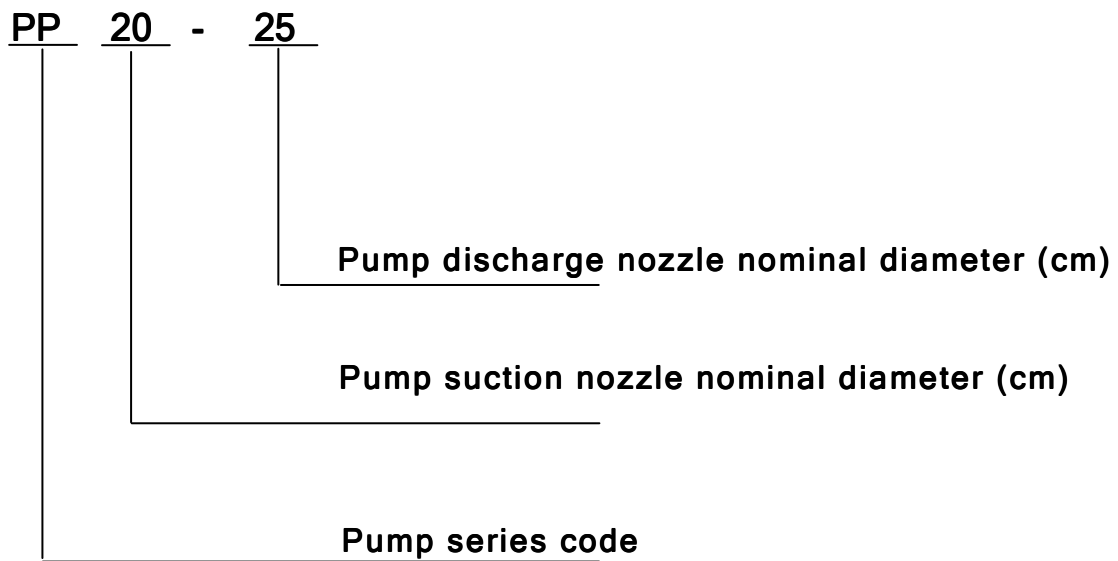
Oil lubricating with constant level oiler ensures that bearings' running smoothly in good lubricating conditions.



2 Rotation direction

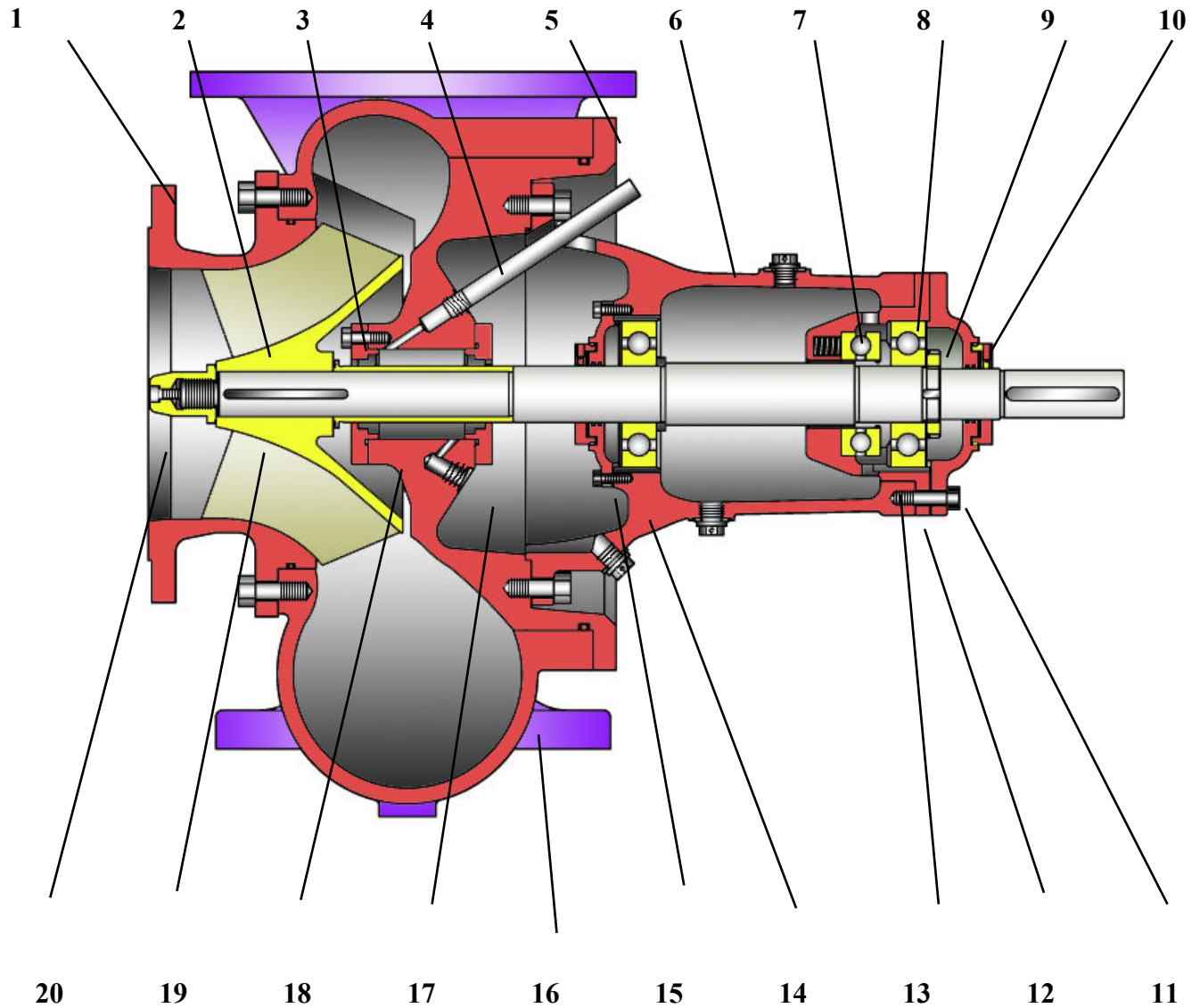
Clockwise viewed from the drive-end.

3 Designation





4 Cross sectional drawing



- | | | | |
|-------------------------|-------------------------------|--------------------------------|--------------------------|
| 1. Suction cover | 6. Bearing frame | 11. Back bearing cover | 16. Casing |
| 2. Impeller | 7. Thrust ball bearing | 12. Bearing box | 17. Packing gland |
| 3. End cover | 8. Radial ball bearing | 13. Spacer sleeve | 18. Shaft sleeve |
| 4. Flushing pipe | 9. Lock nut | 14. Radial ball bearing | 19. Shaft |
| 5. Packing box | 10. Oil seal | 15. Front bearing cover | 20. Impeller nut |



5 Performance coverage (50 Hz)

